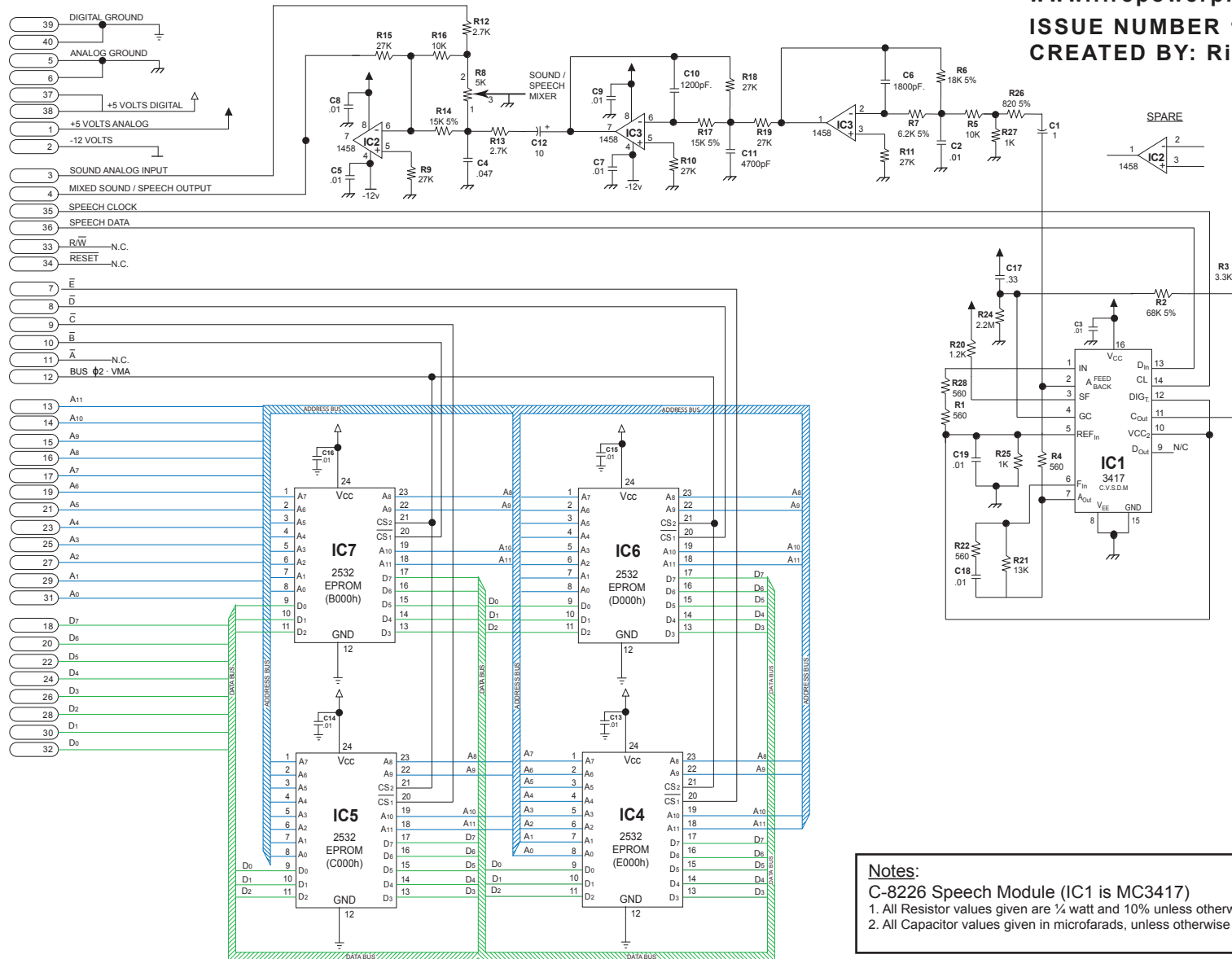


www.firepowerpinball.com

ISSUE NUMBER 1.2 (29 Jul 2009)

CREATED BY: Richard Harvey



**Notes:**  
C-8226 Speech Module (IC1 is MC3417)  
1. All Resistor values given are ¼ watt and 10% unless otherwise noted.  
2. All Capacitor values given in microfarads, unless otherwise noted.