

Notes:

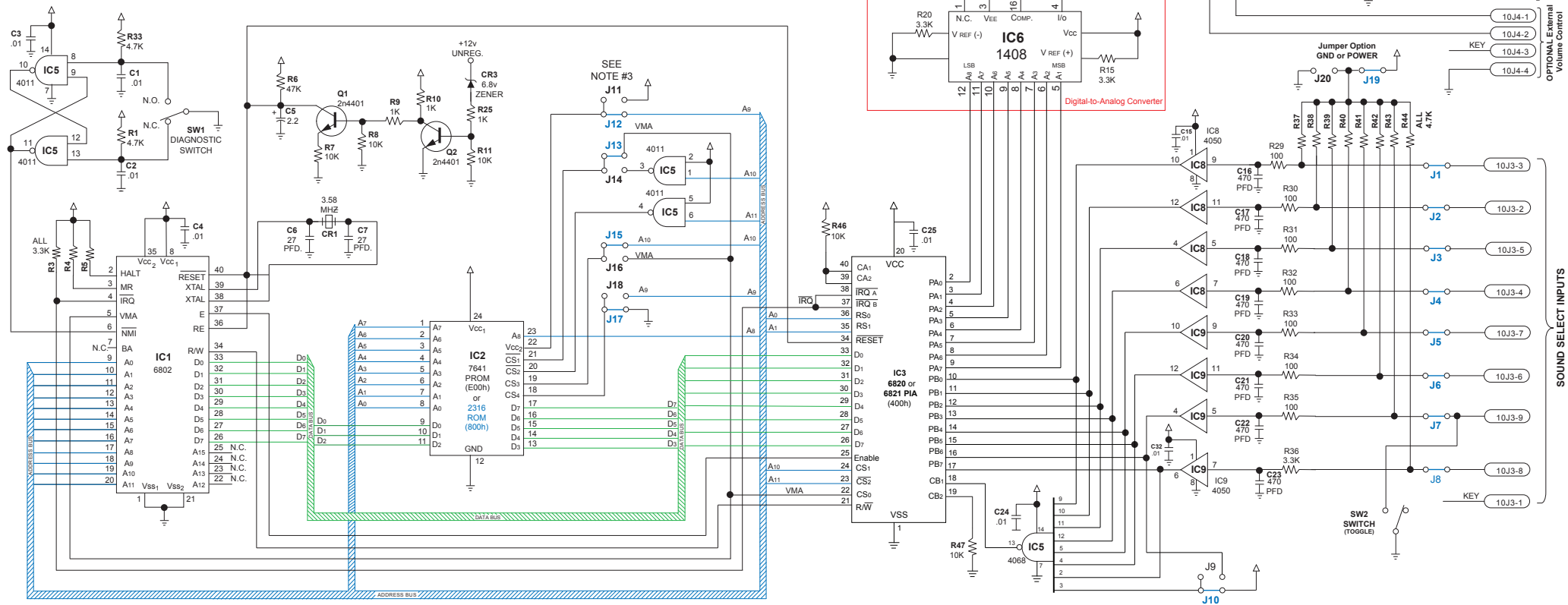
- Unless otherwise Specified
- 1. All Resistor values given in ohms and ¼ watt.
- 2. All Capacitor values given in microfarads.
- 3. Type 1 Board (Flash, Time Warp, Stellar Wars, Laser Ball, Scorpion and Algar)

Switch Settings:

- SW1- Diagnostic Pushbutton
- SW2- **Selects Synth Sounds (N.C.)** or Chime Notes (10J3-9 to Gnd)

Jumper Settings:

- 2616 PROM (512 bytes) at IC2: J11, J14, J16 and J18 are connected.
- 2316 ROM (2048 bytes) at IC2: J12, J13, J15 and J17 are connected.**
- Use settings shown for a 2316 masked ROM, or a 2716 EPROM**



Sys 3 & 4 Sound Board Logic Drawing
 (Board Type 1)
 ISSUE NUMBER 1.0 (09 NOV 2008)
 CREATED BY: Richard Harvey
 www.firepowerpinball.com